

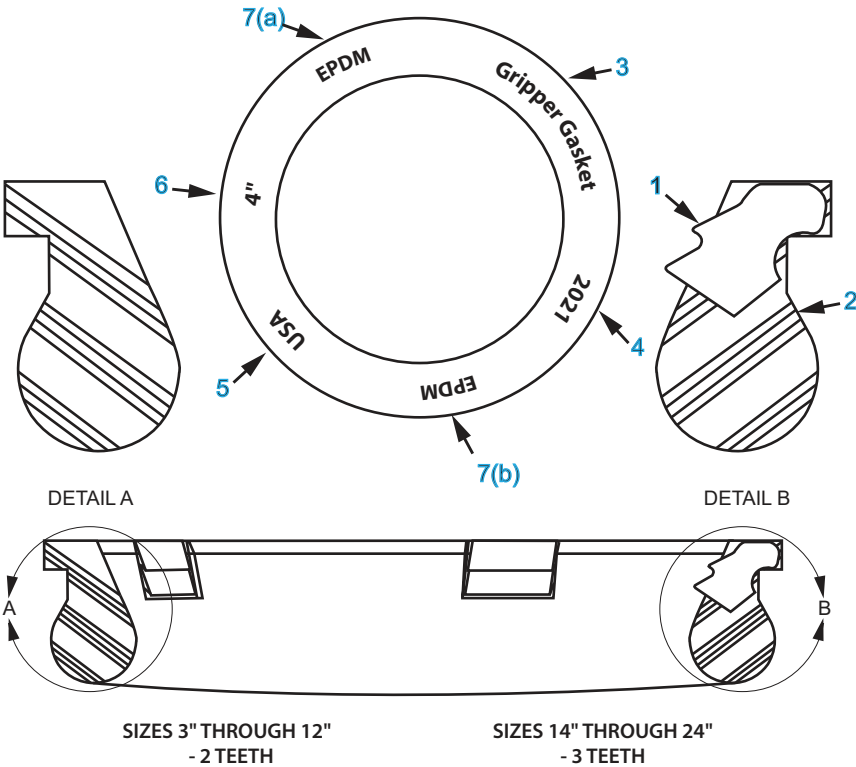


**GRIPPER  
GASKET™**

**Gripper Gasket LLC**  
1660 Leeson Lane  
Corona, CA 92879  
(951) 479-4999  
[www.grippergasket.com](http://www.grippergasket.com)

Recognized by UL  
Tested in Accordance to  
ANSI/AWWA C111/a21.11

**Boltless Restraint  
for Ductile Iron  
Pipe, Valves and Fittings**



**Gripper™ Restraining EPDM Gaskets -  
Submittal:** Performance GG Series Restraining Gaskets for  
Tyton Joint® push-on ductile iron pipe, valves and fittings

PROJECT \_\_\_\_\_  
ENGINEER \_\_\_\_\_  
CONTRACTOR \_\_\_\_\_

**MATERIALS**  
Teeth: High Grade Stainless Steel  
Gasket: EPDM Rubber



Tested in accordance with  
ANSI/AWWA C111/a21.11



**Item No./Part Reference:**

1. Stainless Steel Teeth
2. EPDM Rubber Gasket
3. Manufacturer
4. Date Code: Year
5. USA
6. Nominal Pipe Size
- 7(a). Indelible "EPDM" White Marking
- 7(b). Indelible "EPDM" White Marking

**Gripper Gasket™ Suggested Specification**

**Gripper Gasket™ GG EPDM Series 3" - 24":**

Joint restraint for Tyton Joint® push-on ductile iron water systems including pipe, valves and fittings, shall be accomplished using integral boltless restraining gaskets. Pressure rating 350 p.s.i. Temperature rating 212°F maximum. These gaskets shall be designed, manufactured and tested in accordance with ANSI/AWWA C111/a21.11. Compliant to NSF/ANSI 61. UL Recognized Component. Boltless restraining gaskets shall be Gripper Gasket™ GG Series or equivalent.

**Gripper™ GG EPDM Series Restraining Gaskets** are designed to instantly restrain Tyton Joint® push-on ductile iron pipe, valves and fittings. The molded bulb shape profile restraining gasket, with dual hardness elastomer in sizes greater than 12", includes high grade stainless steel teeth vulcanized into the gasket. Gaskets are available in sizes 3" through 24".

**Resilient** - Stops joints from separating due to thrust forces.

**Boltless** - Provides a boltless, integral restraining system eliminating nuts, bolts, clamps, thread rods, retainer glands, concrete thrust blocks and expensive labor associated with conventional restraining methods.

**Recognized** - This component is recognized by UL. Representative samples of this component have been evaluated by UL and meet applicable UL requirements.

**Tested** - Boltless restraining gaskets (similar to Field Lok 350®) shall be rated to 350 p.s.i. and tested in accordance with ANSI/AWWA C111/a21.11.

**Required Properties and Methods of Testing for EPDM Push-On Joint Gaskets:**

Property	ASTM Test Method	Main Body of Gasket		Harder Portion (If Used)	
		Standard (US)	Metric	Standard (US)	Metric
Nominal hardness, Shore "A"	D2240	50-65	50-65	80-85	80-85
Tolerance on nominal hardness		±5	±5	±5	±5
Minimum ultimate tensile	D412	2,000 psi	14 MPa	1,200 psi	8 MPa
Minimum ultimate elongation*	D412	300%	300%	125%	125%
Minimum aging†	D573‡	60%	60%	---	---
Maximum compression set	D395, Method B	20%	20%	---	---
Resistance to surface ozone cracking	D1149§	No cracking		---	---

\* Of original length.

† Of original values of tensile and ultimate elongation.

‡ Air oven method, after 70 hr at 100°C ±1°.

§ After a minimum of 25 hr exposure in 50 pphm ozone concentrations at 104°F (40°C) on a loop-mounted gasket with approximately 20% elongation at outer surface.

1. "Tyton® & Field Lok® are registered trademarks and properties of United States Pipe and Foundry Company, LLC. Gripper Gasket, LLC is not affiliated in any way with United States Pipe and Foundry Company, LLC."