

Submittal

Gripper™ Restraining Gaskets - Submittal

Performance GG Series Restraining Gaskets for Tyton Joint®¹ push-on ductile iron pipe, valves, and fittings.

PROJECT _____

ENGINEER _____

CONTRACTOR _____

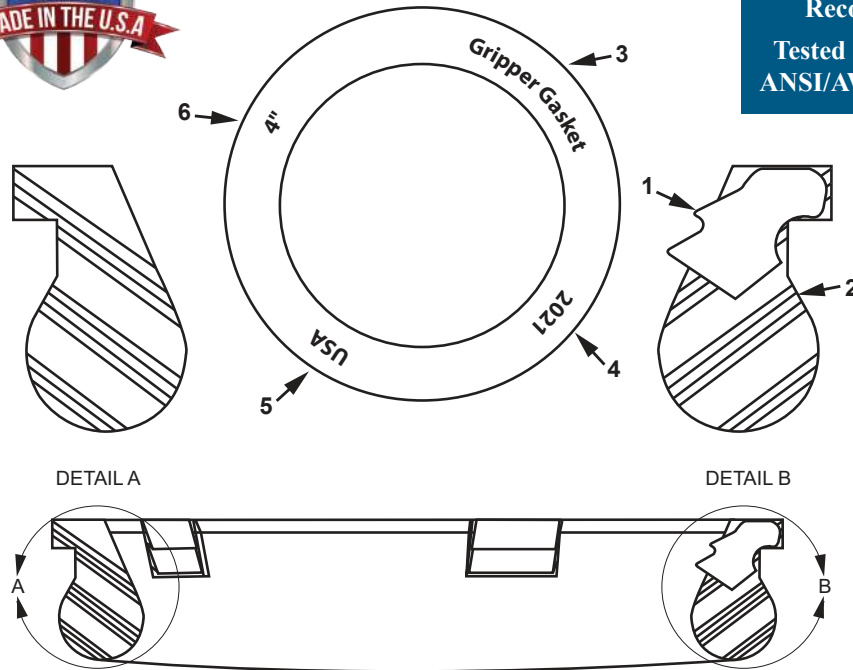
GRIPPER™ Restraining Gasket



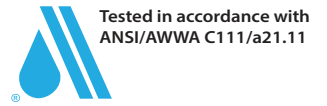
Boltless Restraint for Ductile Iron Pipe, Valves, and Fittings.

MATERIALS

Teeth High Grade Stainless Steel
Gasket SBR Rubber



Certified to NSF/ANSI 61
Recognized by UL
Tested in Accordance with
ANSI/AWWA C111/a21.11



- Item No./Part Reference:**
1. Stainless Steel Teeth
 2. SBR Rubber Gasket
 3. Manufacturer
 4. Date Code: Year
 5. USA
 6. Nominal Pipe Size

SIZES 3" THROUGH 12" - 2 TEETH
SIZES 14" THROUGH 24" - 3 TEETH

Gripper Gasket™ Suggested Specification

Gripper Gasket™ GG Series 3" - 24": Joint restraint for Tyton Joint®¹ push-on ductile iron water systems including pipe, valves and fittings, shall be accomplished using integral boltless restraining gaskets. Pressure rating 350 p.s.i. Temperature rating 150°F maximum. These gaskets shall be designed, manufactured and tested in accordance with ANSI/AWWA C111/a21.11. Certified to NSF/ANSI 61. UL Recognized Component. Boltless restraining gaskets shall be Gripper Gasket™ GG Series or equivalent.

Gripper™ GG Series Restraining Gaskets are designed to instantly restrain Tyton Joint®¹ push-on ductile iron pipe, valves and fittings. The molded bulb shape profile restraining gasket, with dual hardness elastomer in sizes greater than 12", includes high grade stainless steel teeth vulcanized into the gasket. Gaskets are available in sizes 3" through 24".

Resilient - Stops joints from separating due to thrust forces.
Boltless - Provides a boltless, integral restraining system eliminating nuts, bolts, clamps, thread rods, retainer glands, concrete thrust blocks and expensive labor associated with conventional restraining methods.
Certified - Gripper restraining gaskets are certified to NSF/ANSI 61 by NSF International.
Recognized - This component is recognized by UL. Representative samples of this component have been evaluated by UL and meet applicable UL requirements.
Tested - Boltless restraining gaskets (similar to Field Lok 350®)¹ shall be rated to 350 p.s.i. and tested in accordance with ANSI/AWWA C111/a21.11.

Required Properties and Methods of Testing for SBR Push-On Joint Gaskets:

Property	ASTM Test Method	Main Body of Gasket		Harder Portion (If Used)	
		Standard (US)	Metric	Standard (US)	Metric
Nominal hardness, Shore "A"	D2240	50-65	50-65	80-85	80-85
Tolerance on nominal hardness		±5	±5	±5	±5
Minimum ultimate tensile	D412	2,000 psi	14 MPa	1,200 psi	8 MPa
Minimum ultimate elongation*	D412	300%	300%	125%	125%
Minimum aging†	D573‡	60%	60%	---	---
Maximum compression set	D395, Method B	20%	20%	---	---
Resistance to surface ozone cracking	D1149§	No cracking		---	---

* Of original length.
 † Of original values of tensile and ultimate elongation.
 ‡ Air oven method, after 70 hr at 100°C ±1°.
 § After a minimum of 25 hr exposure in 50 ppm ozone concentrations at 104°F (40°C) on a loop-mounted gasket with approximately 20% elongation at outer surface.

1. "Tyton® & Field Lok® are registered trademarks and properties of United States Pipe and Foundry Company, LLC. Gripper Gasket, LLC is not affiliated in any way with United States Pipe and Foundry Company, LLC."

Gripper Gasket LLC | 1660 Leeson Lane | Corona, CA 92879
(951) 479-4999



grippergasket.com

REV. 10/22