

Submittal

MAXADAPTOR® Couplings - Submittal

Performance Sewer Repair Couplings.



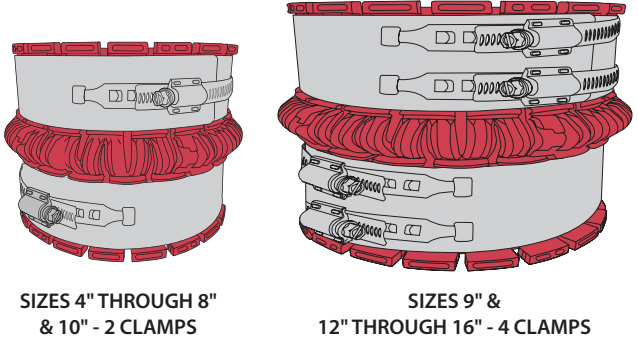
Shielded, universal, high performance sewer repair couplings designed for the repair of most types and sizes of sewer/drainage pipes.



PROJECT _____
 ENGINEER _____
 CONTRACTOR _____

MATERIALS			
Shear Band	Series 304 ASTM stainless steel	Securing Cage	High impact polyamide (nylon)
Screw Housing	Series 304 ASTM stainless steel	Gasket	EPDM rubber
Screw Saddle	Series 304 ASTM stainless steel		
Screw	Series 305 ASTM stainless steel		

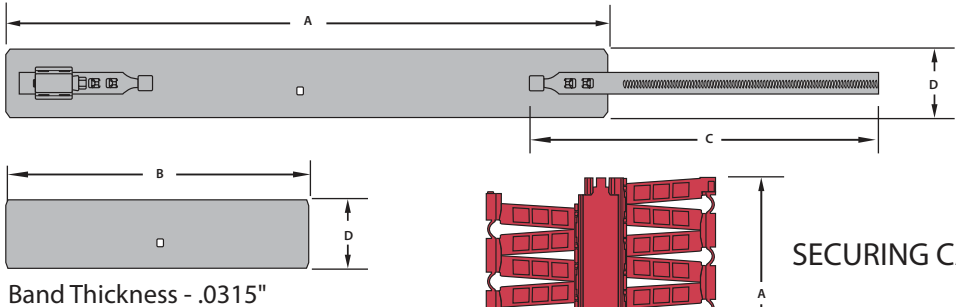
MEETS:
 ASTM C 1173
 UPC 4224
 CSA B602



SIZES 4" THROUGH 8"
 & 10" - 2 CLAMPS

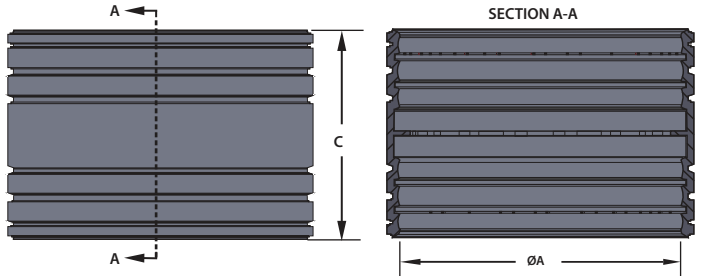
SIZES 9" &
 12" THROUGH 16" - 4 CLAMPS

CLAMP ASSEMBLY DETAILS

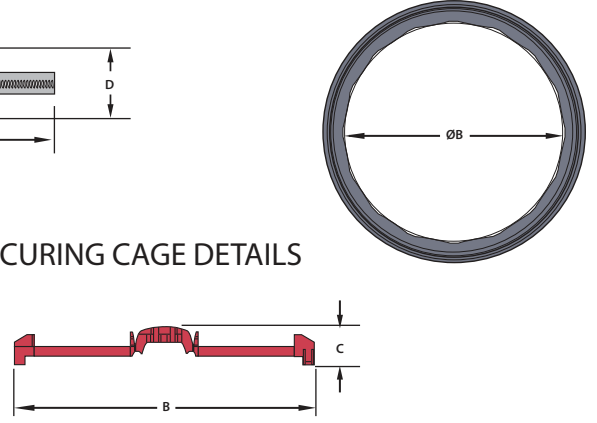


U.S. Patent Nos. US 8,651,532 B2
 & US 8,635,747 B2

SEALING GASKET DETAILS



SECURING CAGE DETAILS



MAXADATOR REFERENCE	SIZE	CLAMP ASSEMBLY				SECURING CAGE			SEALING GASKET		
		A	B	C	D	A	B	C	ØA	ØB	C
MAX 4	4"	16.732"	8.465"	9.843"	1.929"	5.250"	5.900"	0.910"	5.285"	4.420"	5.345"
MAX 5	5"	20.276"	10.236"	9.843"	1.929"	5.250"	5.900"	0.910"	6.417"	5.720"	5.345"
MAX 6	6"	22.835"	11.614"	9.843"	1.929"	6.400"	6.200"	0.790"	7.575"	6.895"	5.935"
MAX 6 Oversize	6"+	25.750"	11.125"	11.496"	1.929"	5.250"	5.750"	0.910"	7.941"	7.250"	5.750"
MAX 7	7"	26.000"	13.250"	9.843"	2.323"	5.250"	5.750"	0.910"	8.628"	8.500"	6.375"
MAX 8	8"	29.528"	14.961"	11.496"	2.323"	8.000"	6.750"	0.690"	10.115"	9.358"	6.892"
MAX 9	9"	33.438"	19.719"	18.000"	2.725"	9.750"	8.250"	1.000"	11.230"	N/A	7.625"
MAX 10	10"	36.417"	18.504"	11.496"	2.323"	8.000"	6.750"	0.690"	12.625"	11.470"	6.788"
MAX 12	12"	45.520"	21.654"	18.110"	2.717"	9.500"	8.190"	0.910"	15.148"	N/A	7.660"
MAX 13	13"	41.250"	21.625"	21.500"	2.725"	9.750"	8.250"	1.000"	15.580"	N/A	7.625"
MAX 16	16"	55.500"	27.563"	18.100"	2.725"	9.750"	8.250"	1.000"	18.980"	N/A	7.625"

TEST	GASKET PHYSICAL TESTS (ASTM C1173)	ASTM C1173
Tensile Strength	1000 PSI minimum	D412
Elongation	200% minimum	D412
Durometer (Shore A)	50 minimum 75 maximum	D2240
Heat Aging	75% of original tensile strength 65% of original elongation All determined after oven aging at 70°C for 70 hours	D573
Ozone Cracking	No visible cracking at 2X magnification of the gasket after 24 hours exposure in 0.5 PPHM ozone concentrations at 40°C. Testing and inspection to be on gasket which is loop-mounted to give approximately 20% elongation of outer surface.	D1149
Water Absorption	20% maximum by weight after 7 days at 70°F	D471
Chemical Resistance	No weight loss 48 hours at 74°F	D543

MAXADAPTOR® Couplings are designed for the repair of most types and sizes of gravity flow, non-pressure sewer/drainage pipes. One coupling per nominal diameter joins clay, ductile iron, asbestos cement, cast iron and plastic. Coupling consists of corrosion resistant AISI 304 series stainless steel components, and a high impact polyamide (nylon) securing cage, over an injection molded EPDM rubber gasket. Couplings are available in sizes 4" through 16".

Leak-Proof Seal - AISI 304 series stainless steel components and high impact polyamide (nylon) securing cage provide sufficient band load to ensure a water-tight, leak-proof seal that is resistant to both infiltration and exfiltration.

Corrosion Resistant - AISI 304 series stainless steel components provide highly effective corrosion resistance in a variety of environments; such as marine applications, poorly aerated or moist soils, contaminated ground conditions (particularly industrial fill sites) and where the ground water contains chloride, sulfates or bicarbonates.

Withstands Tension and Compression - EPDM rubbers permit a substantial degree of distortion without change in basic physical resistance, unlike other manufacturers' thermoplastic gasket materials. Molded rubber gasket is strong, durable and resilient to ultraviolet rays, ozone, fungus growth, natural erosive properties of soil and normal sewer gases. More pliable and easier to install in cold weather applications than an elastomeric PVC gasket.

Internal "Pipe Stop" - For proper pipe positioning and noise/vibration reduction.
Joint Movement Restraint - Coupling provides for superior load bearing control between the coupling and pipe surface. The coupling's rugged construction provides excellent sealing properties, and the stainless steel band plus securing cage offers excellent resistance to shear forces and helps with alignment, while maintaining flexibility.

Pre-Set Calibration - Designed to be installed with a cordless drill to 80 in/lbs. minimum torque to accommodate ISI 305 series stainless steel 5/16" hex head screw.

Gripper Gasket LLC | 1660 Leeson Lane | Corona, CA 92879
 (951) 479-4999



grippergasket.com

REV. 11/22