

# Submittal

## 4" ShuvlNose® Adaptors - Submittal

Performance Sewer Repair Adaptors.

### SHUVLNOSE® Adaptors

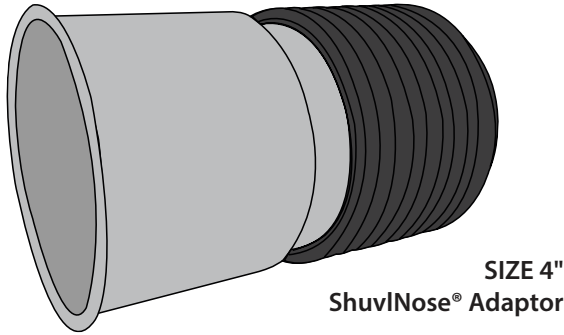
Designed to establish a reliable connection between pipes with similar inside diameters and widely different outside diameters.



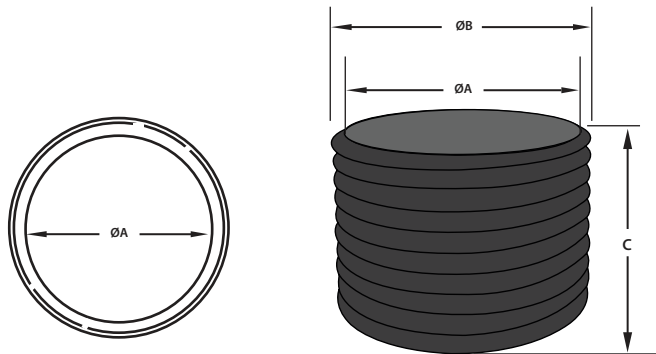
PROJECT \_\_\_\_\_  
 ENGINEER \_\_\_\_\_  
 CONTRACTOR \_\_\_\_\_

#### MATERIALS

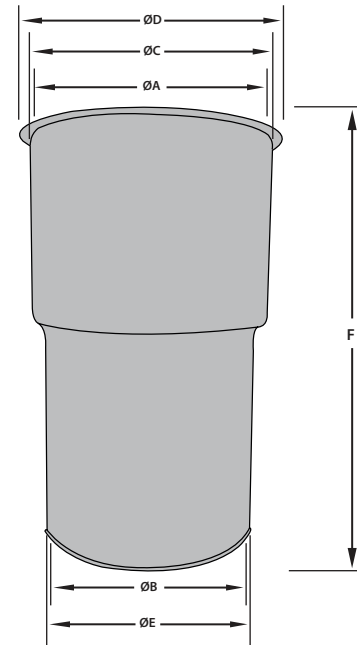
Collar: AISI 316 series stainless steel  
 Sealing Gasket: EPDM rubber



#### SEALING GASKET DETAILS



#### COLLAR DETAILS



U.S. Patent No. D846,085 S

SHUVLNOSE® REFERENCE	SIZE	COLLAR						GASKET		
		ØA	ØB	ØC	ØD	ØE	F	ØA	ØB	C
SNA 4	4"	3.935"	3.542"	4.011"	4.624"	3.620"	6.563"	3.575"	4.075"	2.750"

TEST	GASKET PHYSICAL TESTS (ASTM C1173)	ASTM C1173
Tensile Strength	1000 PSI minimum	D412
Elongation	200% minimum	D412
Durometer (Shore A)	50 minimum 75 maximum	D2240
Heat Aging	75% of original tensile strength 65% of original elongation All determined after oven aging at 70°C for 70 hours	D573
Ozone Cracking	No visible cracking at 2X magnification of the gasket after 24 hours exposure in 0.5 PPHM ozone concentrations at 40°C. Testing and inspection to be on gasket which is loop-mounted to give approximately 20% elongation of outer surface.	D1149
Water Absorption	20% maximum by weight after 7 days at 70°F	D471
Chemical Resistance	No weight loss 48 hours at 74°F	D543

**ShuvlNose® Adaptor** is designed to provide a reliable connection between pipes with similar inside diameters and widely different outside diameters of gravity flow, non-pressure sewer/drainage pipes. Adaptor consists of an injection molded EPDM rubber gasket over a corrosion resistant AISI 316 series stainless steel collar. Adaptor is available in size 4".

**Corrosion Resistant** - AISI 316 series stainless steel components provide highly effective corrosion resistance in a variety of environments; such as marine applications, poorly aerated or moist soils, contaminated ground conditions (particularly industrial fill sites) and where the ground water contains chloride, sulfates or bicarbonates.

**Withstands Tension and Compression** - EPDM rubbers permit a substantial degree of distortion without change in basic physical resistance. Molded rubber gasket is strong, durable and resilient to ultraviolet rays, ozone, fungus growth, natural erosive properties of soil and normal sewer gases.

**Joint Movement Restraint** - The combination of the ShuvlNose® Adaptor and MAXADAPTOR® Coupling provides for superior load bearing control between the coupling and pipe surface. The coupling's rugged construction provides excellent sealing properties, and the stainless steel collar offers excellent resistance to shear forces and helps with alignment, while maintaining flexibility.

Gripper Gasket LLC | 1660 Leeson Lane | Corona, CA 92879  
 (951) 479-4999

[grippergasket.com](http://grippergasket.com)

REV. 11/22

