

Submittal

MAXADAPTOR® DWV Coupling - Submittal

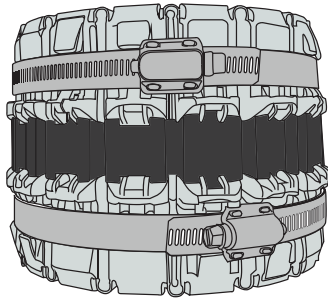
Performance Plumbing Transition Couplings.



Shielded, transition couplings designed to connect most types of gravity flow, non-pressure sanitary and drain, waste and vent (DWV) pipes.

PROJECT _____
 ENGINEER _____
 CONTRACTOR _____

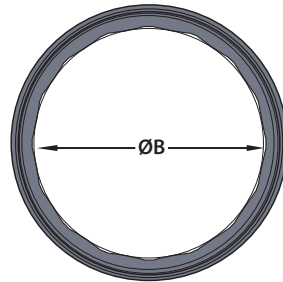
MATERIALS			
Screw Housing	Series 304 ASTM stainless steel	Securing Cage	High impact polyamide (nylon)
Screw Saddle	Series 304 ASTM stainless steel	Gasket	EPDM rubber
Screw	Series 305 ASTM stainless steel		



SIZES 2" THROUGH 4" - 2 CLAMPS

MEETS:
ASTM C 1173
UPC 4224

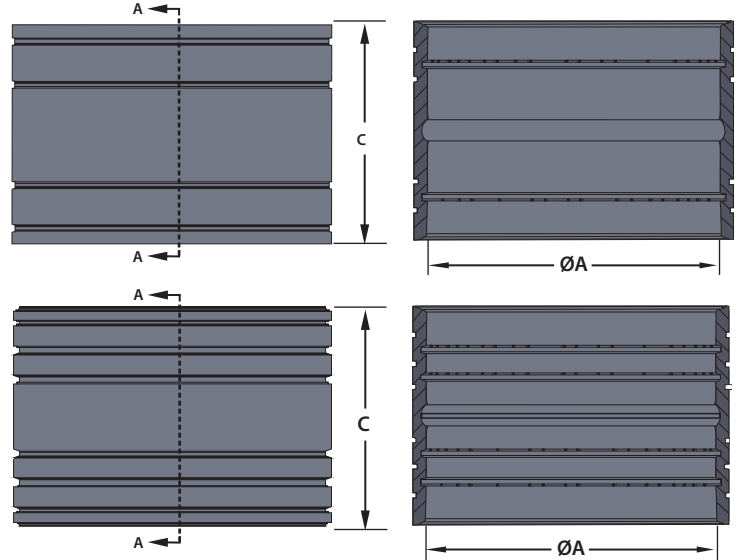
SIZES 2" - 3"
 2 SEALING
 RINGS/SIDE



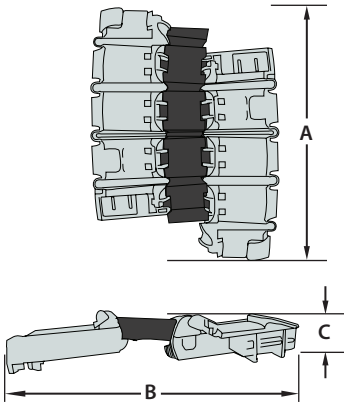
CENTER PIPE STOP

SIZE 4"
 3 SEALING
 RINGS/SIDE

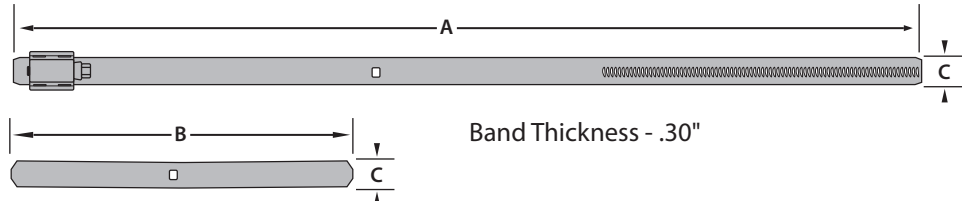
SEALING GASKET DETAILS



SECURING CAGE DETAILS



CLAMP ASSEMBLY DETAILS



MAXADATOR REFERENCE	SIZE	CLAMP ASSEMBLY			SECURING CAGE			SEALING GASKET		
		A	B	C	A	B	C	ØA	ØB	C
MAX DWV 2	2"	13.250"	6.688"	0.563"	7.000"	3.350"	0.625"	2.552"	N/A	3.125"
MAX DWV 3	3"	19.000"	6.688"	0.563"	7.000"	3.350"	0.625"	4.350"	N/A	3.125"
MAX DWV 4	4"	23.625"	10.500"	0.563"	6.750"	5.300"	1.000"	5.300"	5.050"	4.925"

TEST	GASKET PHYSICAL TESTS (ASTM C1173)	ASTM C1173
Tensile Strength	1000 PSI minimum	D412
Elongation	200% minimum	D412
Durometer (Shore A)	50 minimum 75 maximum	D2240
Heat Aging	75% of original tensile strength 65% of original elongation All determined after oven aging at 70°C for 70 hours	D573
Ozone Cracking	No visible cracking at 2X magnification of the gasket after 24 hours exposure in 0.5 PPHM ozone concentrations at 40°C. Testing and inspection to be on gasket which is loop-mounted to give approximately 20% elongation of outer surface.	D1149
Water Absorption	20% maximum by weight after 7 days at 70°F	D471
Chemical Resistance	No weight loss 48 hours at 74°F	D543

MAXADAPTOR® DWV Couplings are shielded transition couplings designed to connect most types of gravity flow, non-pressure sanitary and drain waste & vent (DWV) pipes. One coupling per nominal diameter joins Steel, ABS, SCH 40, SDR 35, Cast Iron, Extra Heavy Cast Iron, Asbestos Cement, Stainless Steel, Copper, Duriron®, Ductile Iron and Clay. Coupling consists of corrosion resistant AISI 304 Series Stainless Steel components, and a high impact polyamide (nylon) securing cage, over an injection molded EPDM rubber gasket. Couplings are available in sizes 2" through 4".

Leak-Proof Seal - AISI 304 series stainless steel components and high impact polyamide (nylon) securing cage provide sufficient band load to ensure a water-tight, leak-proof seal that is resistant to both infiltration and exfiltration.

Corrosion Resistant - AISI 304 series stainless steel components provide highly effective corrosion resistance in a variety of environments; such as marine applications, poorly aerated or moist soils, contaminated ground conditions (particularly industrial fill sites) and where the ground water contains chloride, sulfates or bicarbonates.

Withstands Tension & Compression - EPDM rubbers permit a substantial degree of distortion without change in basic physical resistance, unlike other manufacturers' thermoplastic gasket materials. Molded rubber gasket is strong, durable & resilient to ultraviolet rays, ozone, fungus growth, natural erosive properties of soil & normal sewer gases. More pliable and easier to install in cold weather applications than an elastomeric PVC gasket.

High Temperature Tolerance - Maximum temperature tolerance of 250° F.

Maximum Deflection - Deflection is possible on each side, up to 3°.
Internal "Pipe Stop" - For proper pipe positioning and noise/vibration reduction.

Joint Movement Restraint - Coupling provides for superior load bearing control between the coupling and pipe surface. The coupling's rugged construction provides excellent sealing properties, and the stainless steel band plus securing cage offers excellent resistance to shear forces and helps with alignment, while maintaining flexibility.

Pre-Set Calibration - Designed to be installed with a cordless drill to 80 in/lbs. minimum torque for the 4", and 60 in/lbs. minimum torque for the 2" & 3", to accommodate the AISI 305 series stainless steel 5/16" hex head screw.

U.S. Patent No. US 2020/0166164 A1
Canada Patent No. CA 3058951 A1

Gripper Gasket LLC | 1660 Leeson Lane | Corona, CA 92879
 (951) 479-4999

grippergasket.com

REV. 5/23

