

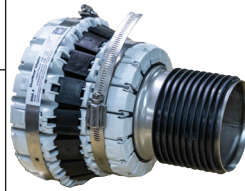
Submittal

4" ShuvlNose® Adaptors - Submittal

Performance Sewer Repair Adaptors.

SHUVLNOSE® Adaptors

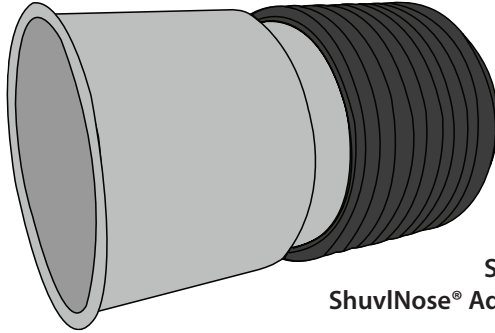
Designed to establish a reliable connection between pipes with similar inside diameters and widely different outside diameters.



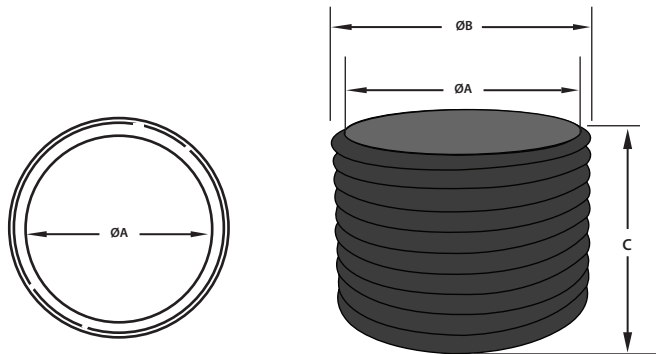
PROJECT _____
 ENGINEER _____
 CONTRACTOR _____

MATERIALS

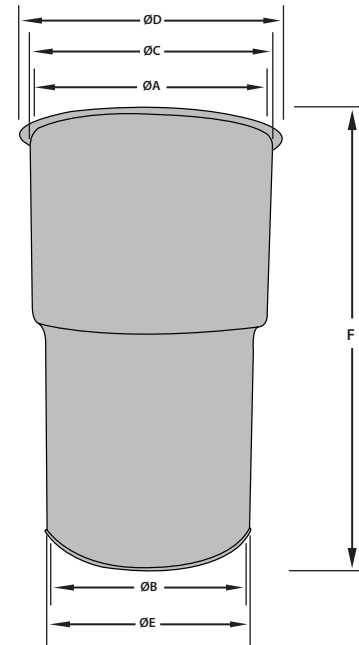
Collar: AISI 316 series stainless steel
 Sealing Gasket: EPDM rubber



SEALING GASKET DETAILS



COLLAR DETAILS



U.S. Patent No. D846,085 S

| SHUVLNOSE® REFERENCE | SIZE | COLLAR | | | | | | GASKET | | |
|-------------------------|------|--------|--------|--------|--------|--------|--------|--------|--------|--------|
| | | ØA | ØB | ØC | ØD | ØE | F | ØA | ØB | C |
| SNA 4 | 4" | 3.935" | 3.542" | 4.011" | 4.624" | 3.620" | 6.563" | 3.575" | 4.075" | 2.750" |

| TEST | GASKET PHYSICAL TESTS (ASTM C1173) | ASTM C1173 |
|---------------------|---|---------------|
| Tensile Strength | 1000 PSI minimum | D412 |
| Elongation | 200% minimum | D412 |
| Durometer (Shore A) | 50 minimum 75 maximum | D2240 |
| Heat Aging | 75% of original tensile strength 65% of original elongation All determined after oven aging at 70°C for 70 hours | D573 |
| Ozone Cracking | No visible cracking at 2X magnification of the gasket after 24 hours exposure in 0.5 PPHM ozone concentrations at 40°C. Testing and inspection to be on gasket which is loop-mounted to give approximately 20% elongation of outer surface. | D1149 |
| Water Absorption | 20% maximum by weight after 7 days at 70°F | D471 |
| Chemical Resistance | No weight loss 48 hours at 74°F | D543 |

ShuvlNose® Adaptor is designed to provide a reliable connection between pipes with similar inside diameters and widely different outside diameters of gravity flow, non-pressure sewer/drainage pipes. Adaptor consists of an injection molded EPDM rubber gasket over a corrosion resistant AISI 316 series stainless steel collar. Adaptor is available in size 4".

Corrosion Resistant - AISI 316 series stainless steel components provide highly effective corrosion resistance in a variety of environments; such as marine applications, poorly aerated or moist soils, contaminated ground conditions (particularly industrial fill sites) and where the ground water contains chloride, sulfates or bicarbonates.

Withstands Tension and Compression - EPDM rubbers permit a substantial degree of distortion without change in basic physical resistance. Molded rubber gasket is strong, durable and resilient to ultraviolet rays, ozone, fungus growth, natural erosive properties of soil and normal sewer gases.

Joint Movement Restraint - The combination of the ShuvlNose® Adaptor and MAXADAPTOR® Coupling provides for superior load bearing control between the coupling and pipe surface. The coupling's rugged construction provides excellent sealing properties, and the stainless steel collar offers excellent resistance to shear forces and helps with alignment, while maintaining flexibility.

High Temperature Tolerance - Maximum temperature tolerance of 250° F.

Gripper Gasket LLC | 1660 Leeson Lane | Corona, CA 92879
 (951) 479-4999

grippergasket.com

REV. 05/23

